

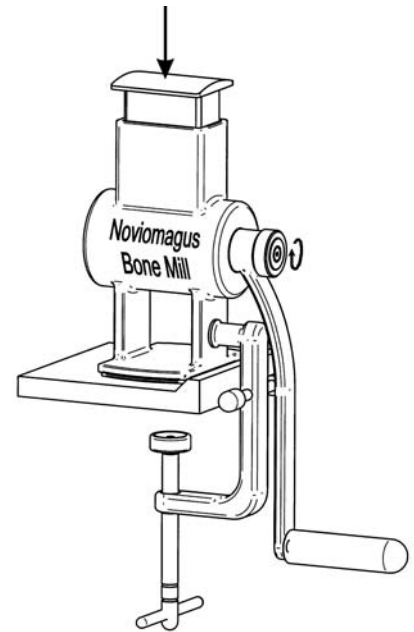
Surgical technique of the Noviomagus Bone Mill



Application: This device is solely meant for milling cortico-cancellous bone into controlled size bone particles.

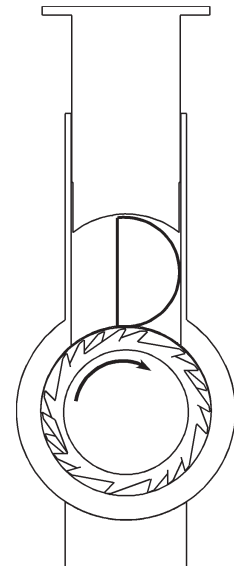
Instructions for assembly

1. Place housing flat on table surface.
2. Push clamp's black spacers firmly against table edge while tightening screw spindle.
3. Insert milling drum with appropriate roughness into housing.
4. Position handle on hexagonal shaft of milling drum.
5. Tighten screw nut on milling drum's shaft end.
6. Insert push block into housing.



Surgical technique

1. Choose milling drum with appropriate roughness.
2. Assemble bone mill according to assembly instructions.
3. Place bowl under milling drum outlet.
4. If femoral heads are used, split heads in half and place halves with split trabecular surface opposite to direction of rotation.
5. Rotate handle clockwise while pushing push block downwards.
6. Do not reinsert or exchange milling drum unless all grafts are removed from housing interior.

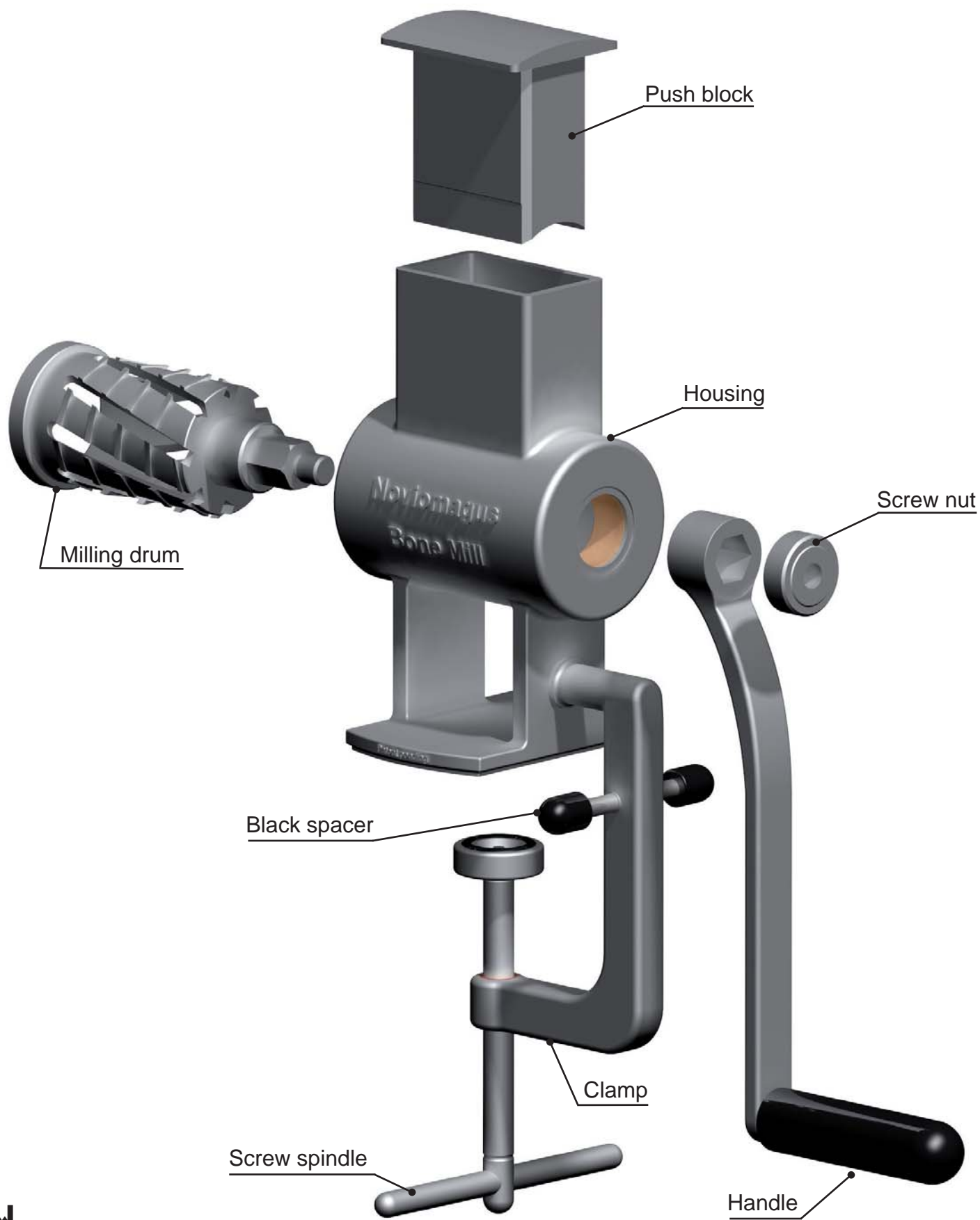


Safety instructions

1. Do not operate bone mill without push block into position.
2. Be careful for sharp teeth on milling drum when handling milling drum outside bone mill.



- For instructions for use see document "Instructions for use of reusable surgical instrumentation" (IFU-MOI001).
- For reprocessing of reusable medical devices see document "Reprocessing of reusable medical devices" (REP-MOI005).



Spierings Orthopaedics B.V.

Madoerastraat 24

6524 LH Nijmegen

The Netherlands

Tel: +31 - 24 - 35 01 603

Fax: +31 - 24 - 35 01 604

©2011 Spierings Orthopaedics B.V. All rights reserved. Printed in the Netherlands.

March 2011, SUR-SBM002-1 EN